

BZ000102

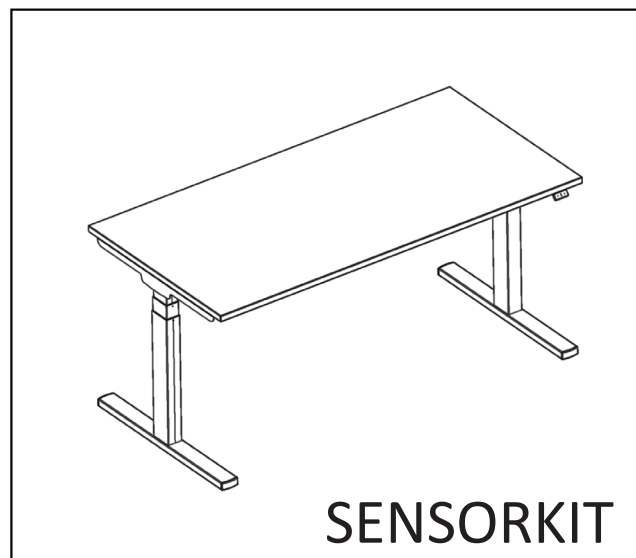
K01XTS3 SENSORKIT

SENSOR-KLEMBEVEILIGING
KIT DE DETECTION SENSITIVE
SENSOR KIT

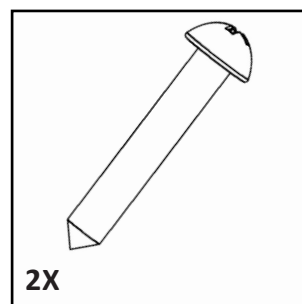
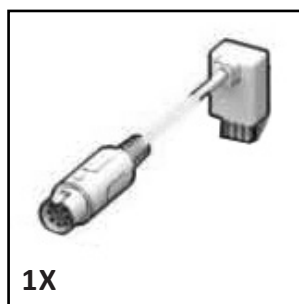
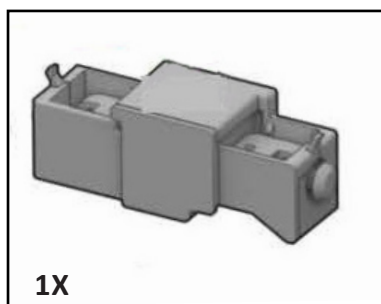
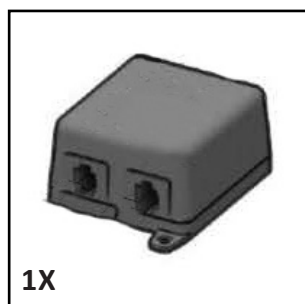


G006064

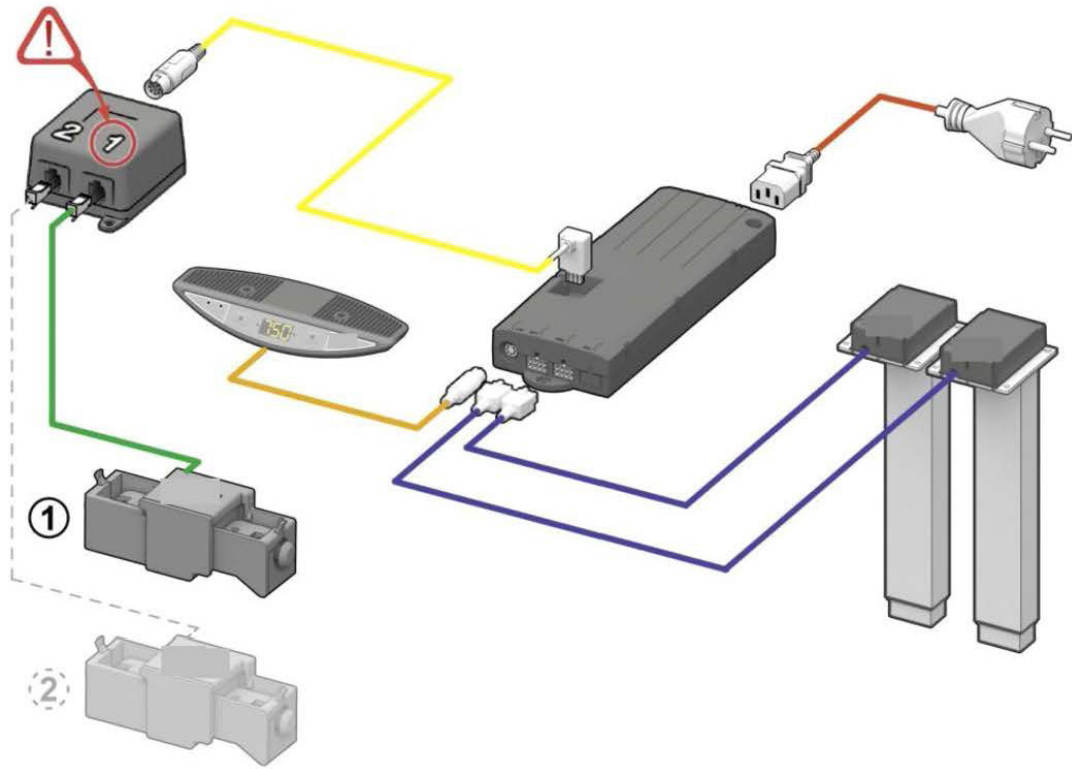
2016 / 02 / 23



ONDERDELEN / OUTILS / TOOLS



1.



2.



