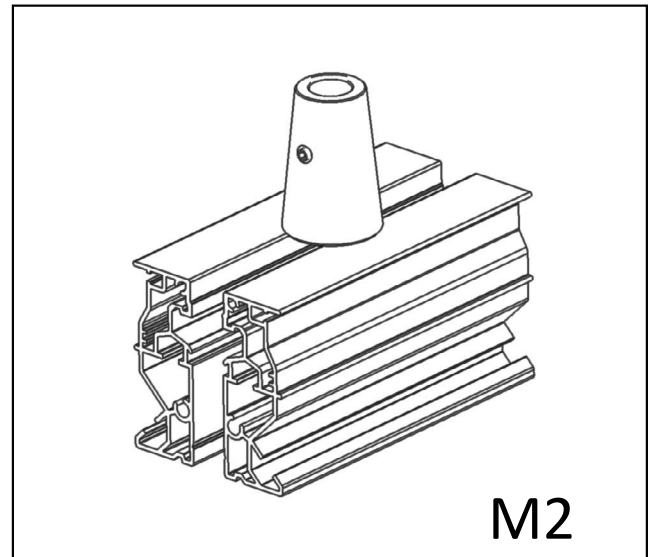


**BZ000097**

## HUMANSCALE M2

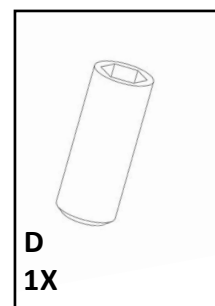
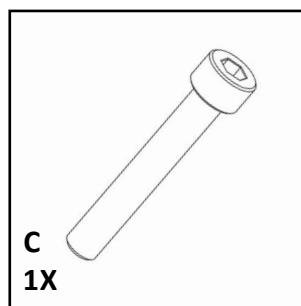
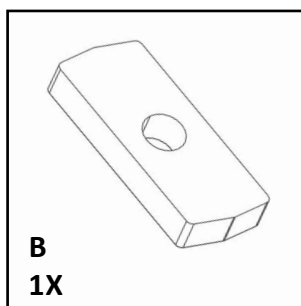
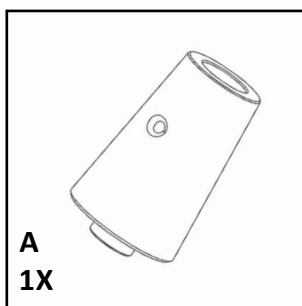
ADAPTERPROFIEL HUMANSCALE M2  
PROFILE D'ADAPTATEUR HUMANSCALE M2  
ADAPTOR PRIOFILE HUMANSCALE M2



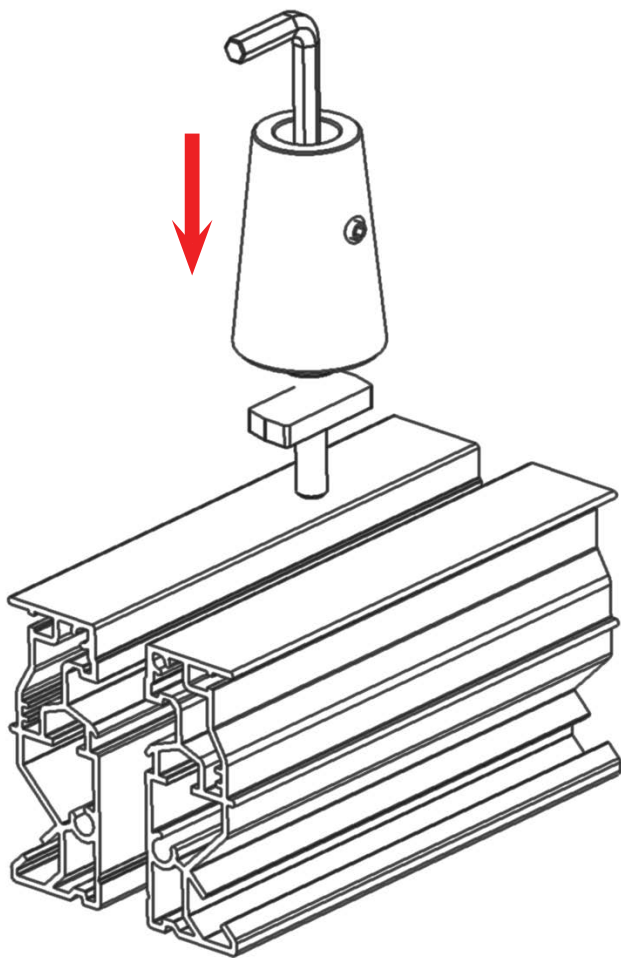
G006043

2018 / 06 / 25

### ONDERDELEN / OUTILS / TOOLS



1.



2.

