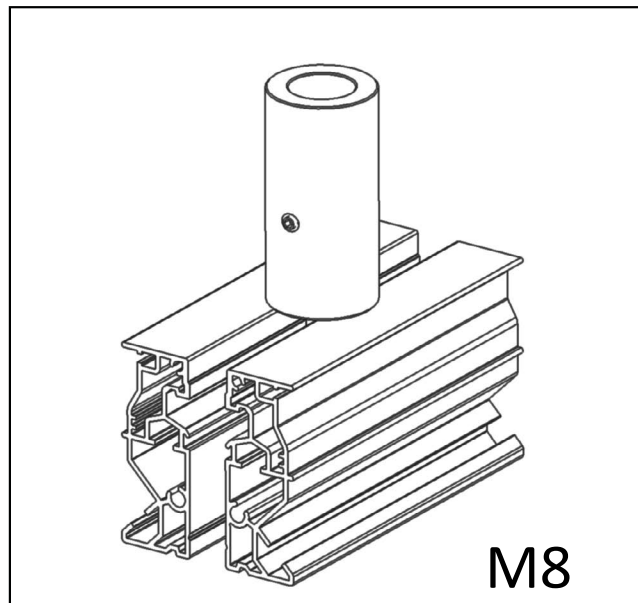


BZ000098

HUMANSCALE M8

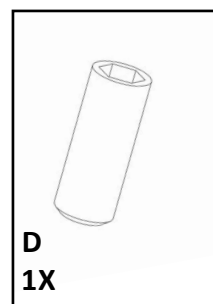
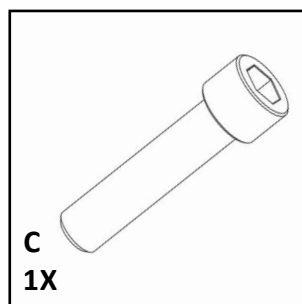
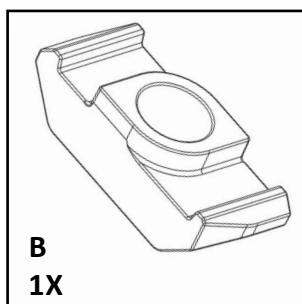
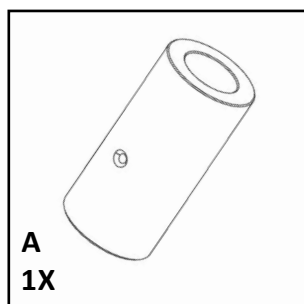
ADAPTERPROFIEL HUMANSCALE M8
PROFILE D'ADAPTATEUR HUMANSCALE M8
ADAPTOR PRIOFILE HUMANSCALE M8



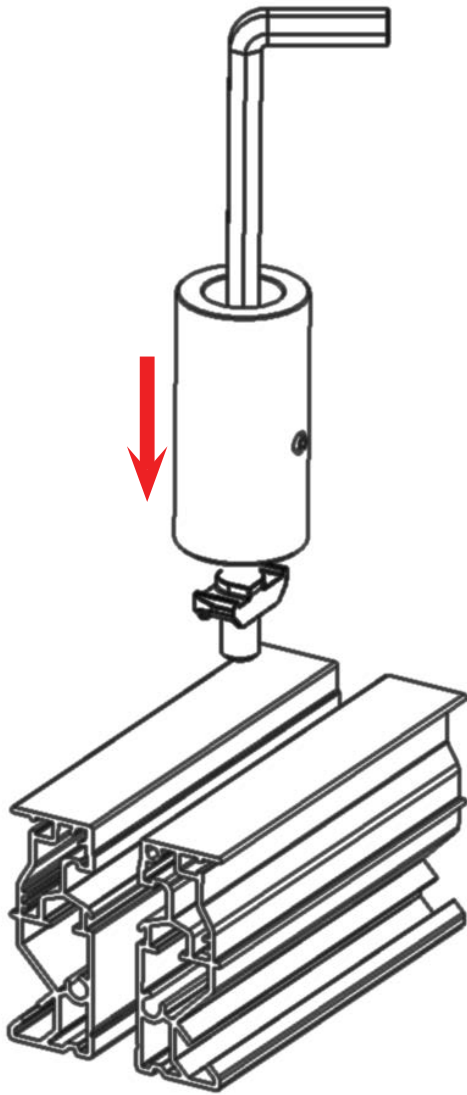
G006044

2018 / 06 / 25

ONDERDELEN / OUTILS / TOOLS



1.



2.

