

BZ000016

P4: PUOS

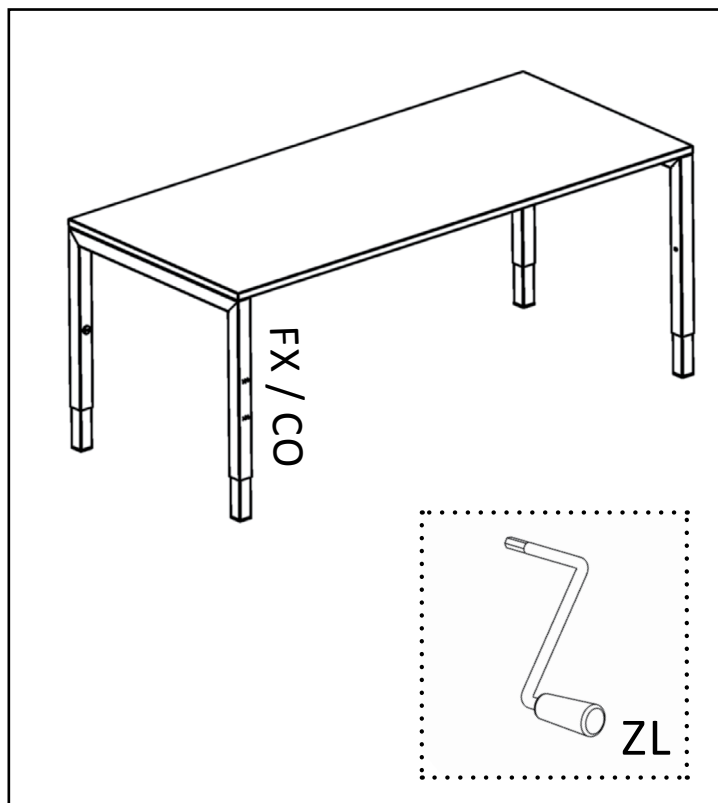
FX / CO / ZL

80 - 90 - 100

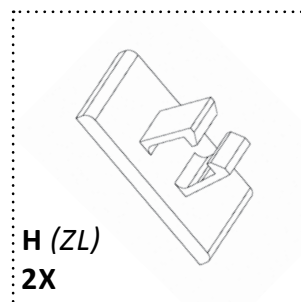
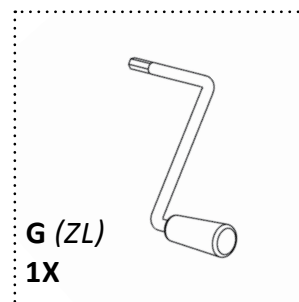
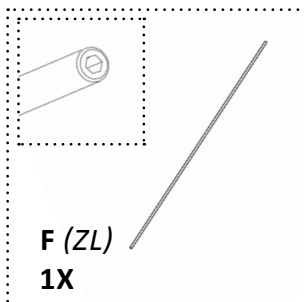
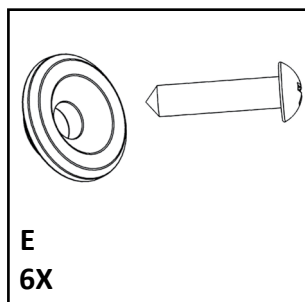
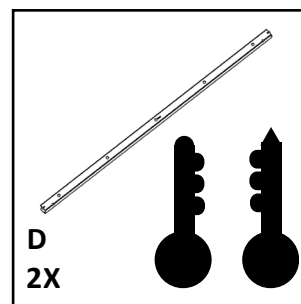
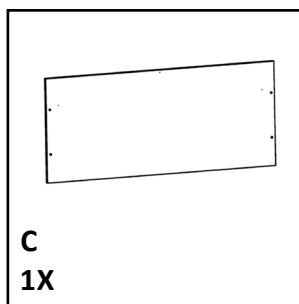
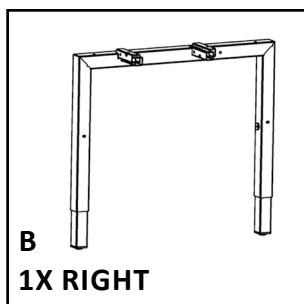
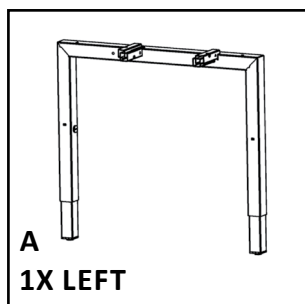


G005792

2018 / 05 / 28



ONDERDELEN / OUTILS / TOOLS



STANDARD

OPTIONAL

