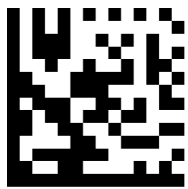


WT



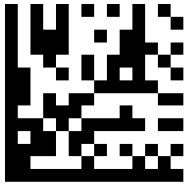
ZW



CM



AL

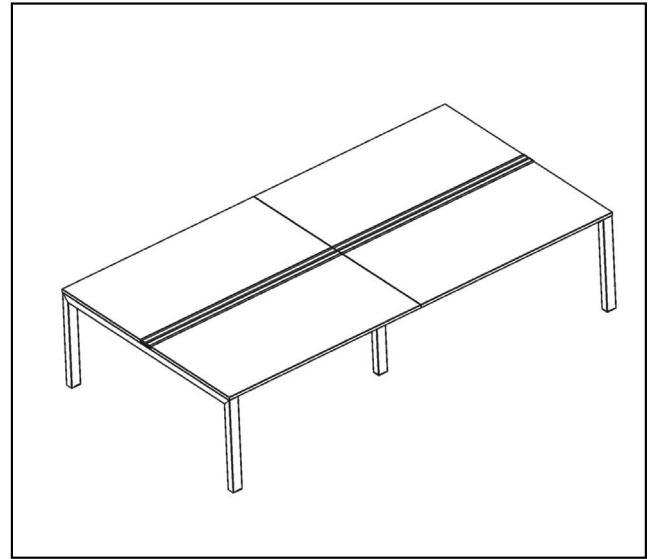


GS



GR

BZ000031



XS U/O BENCH RB

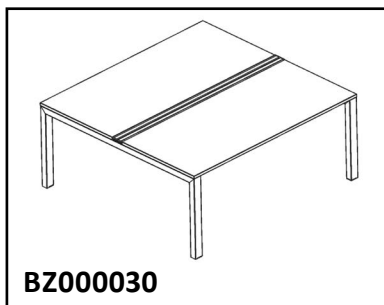
AANBOUW MET RAIL (VERSCHUIFBAAR)
EXTENSION AVEC RAIL (COULISSANT)
ANNEX WITH RAIL (SHIFTABLE)



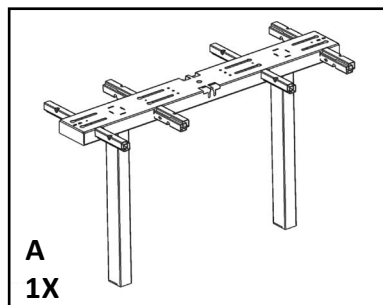
G005824

2018 / 06 / 22

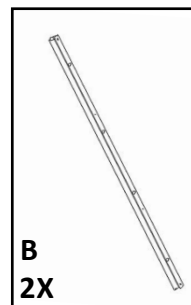
ONDERDELEN / OUTILS / TOOLS



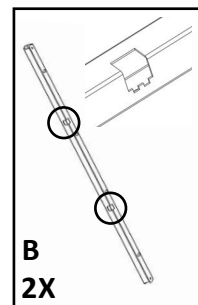
BZ000030



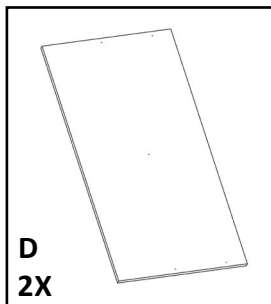
A
1X



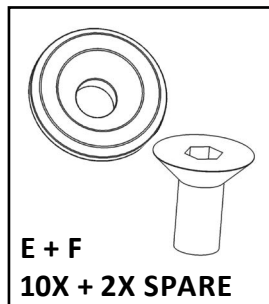
B
2X



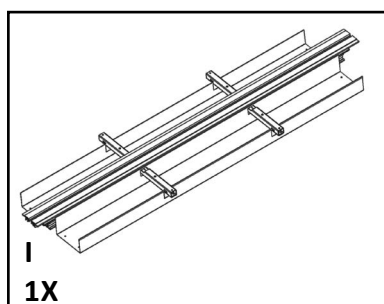
B
2X



D
2X

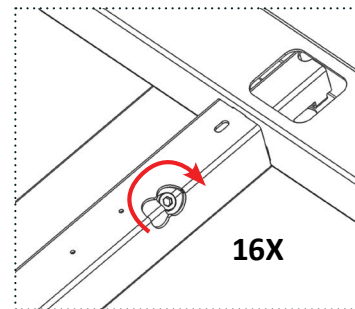
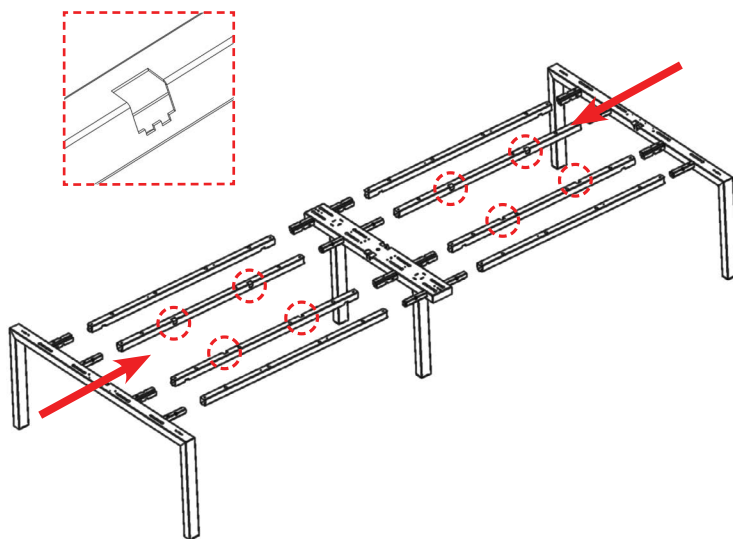
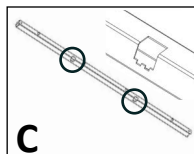
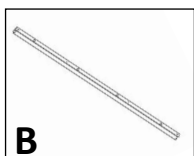
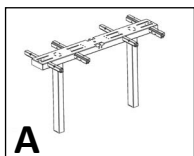


E + F
10X + 2X SPARE

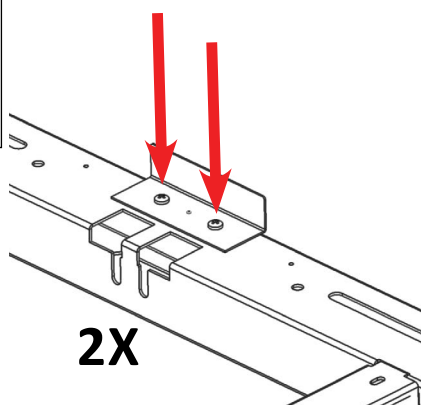
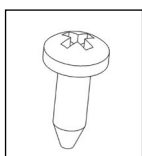
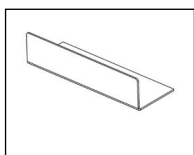


I
1X

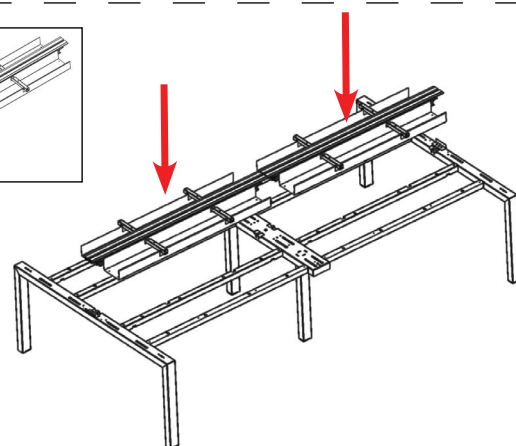
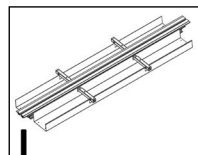
1.



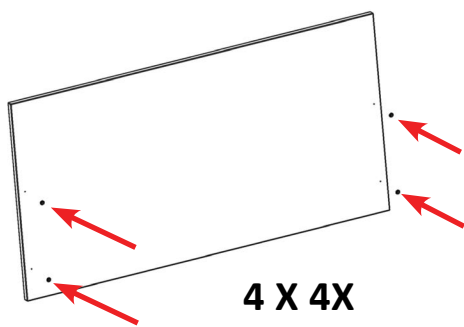
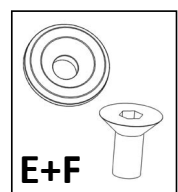
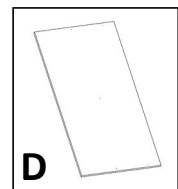
2.



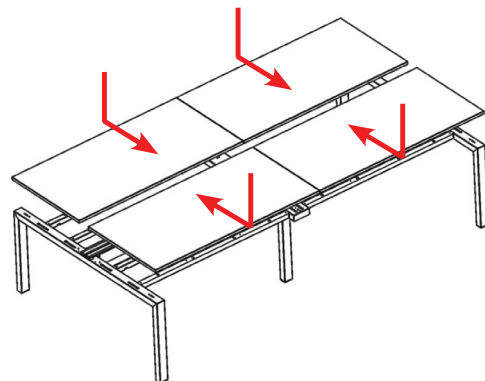
3.



4.



5.



6.

