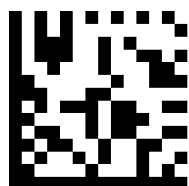


WT



ZW



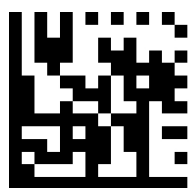
CM



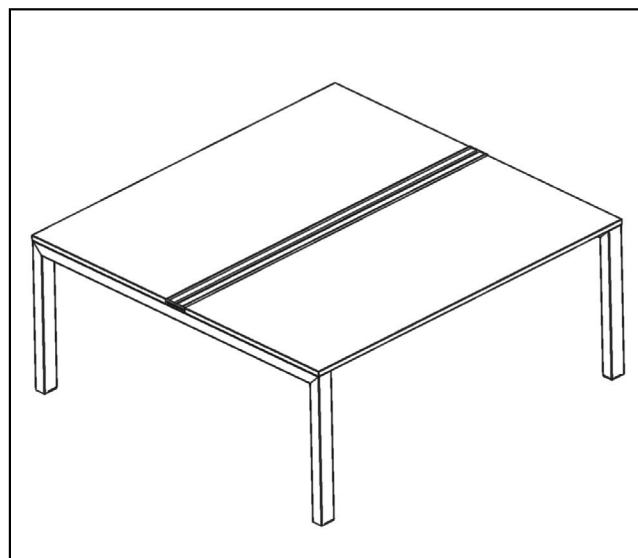
AL



GS



GR



XS U/O BENCH RB

BENCH MET RAIL (VERSCHUIFBAAR)
BENCH AVEC RAIL (COULISSANT)
BENCH WITH RAIL (SHIFTABLE)

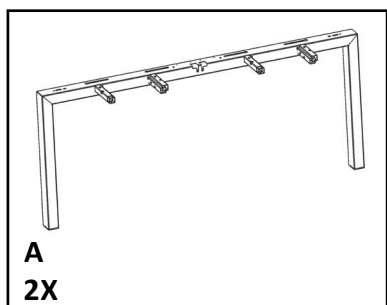
BZ000030



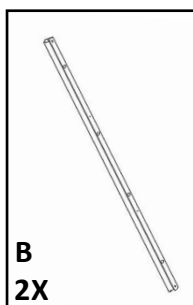
G005823

2018 / 06 / 22

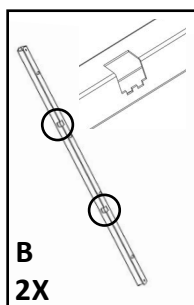
ONDERDELEN / OUTILS / TOOLS



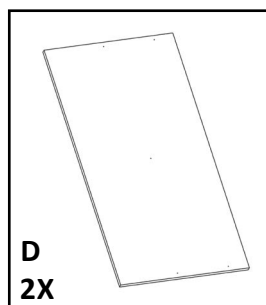
A
2X



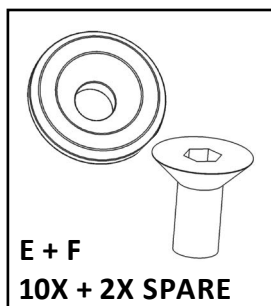
B
2X



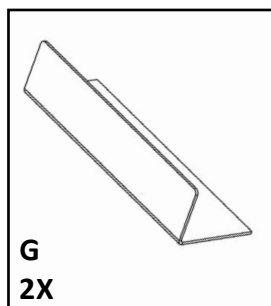
B
2X



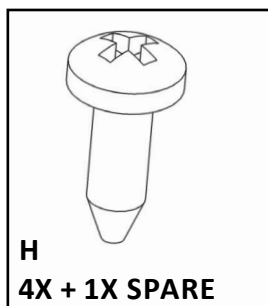
D
2X



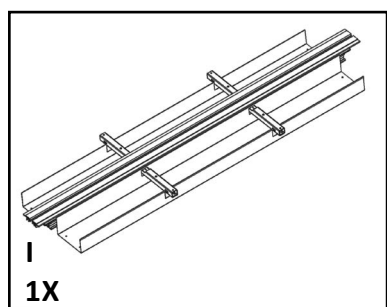
E + F
10X + 2X SPARE



G
2X



H
4X + 1X SPARE



I
1X

