

BZ000144

P4: PUZF - BENCH 180°

P4: PUZF - VGT 180°

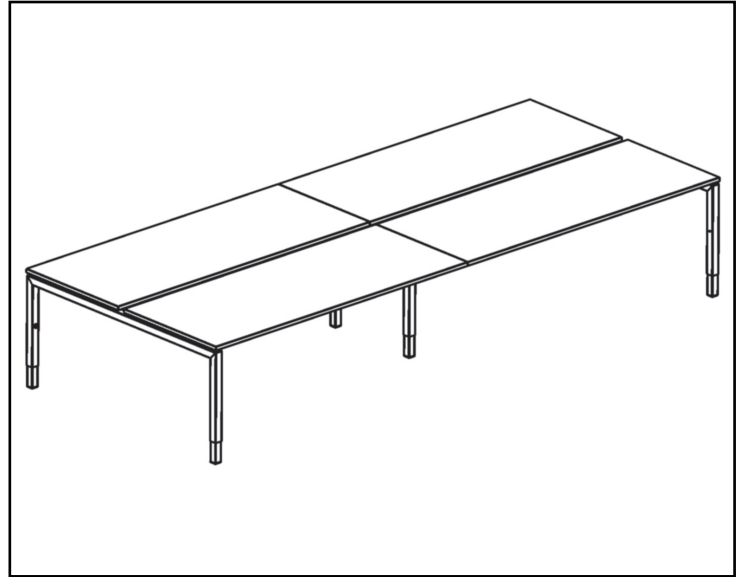
FX / CO

120 - 140 - 165

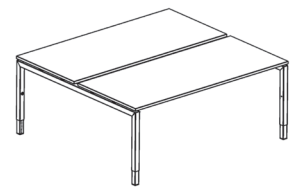
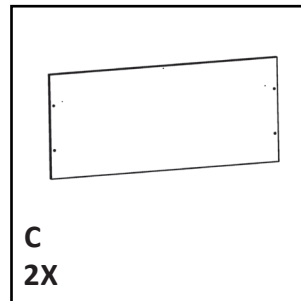
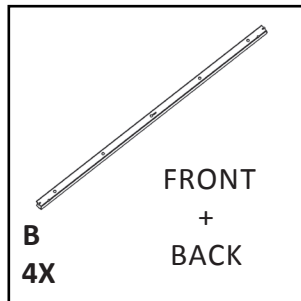
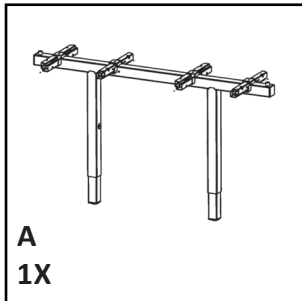


G006262

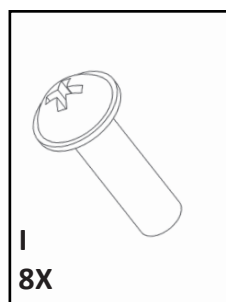
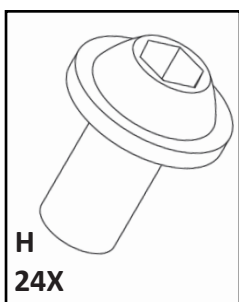
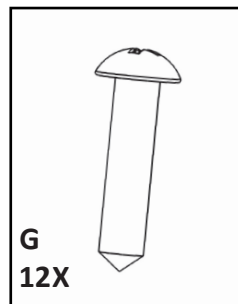
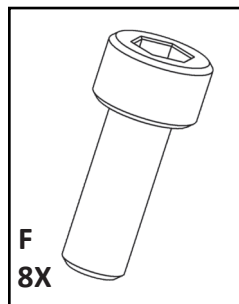
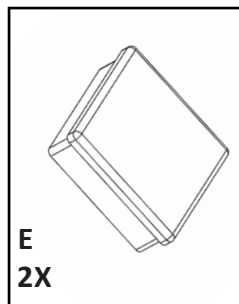
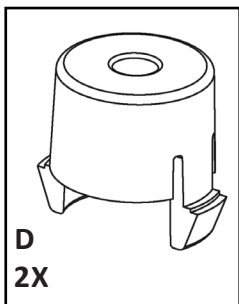
2020 / 07 / 10

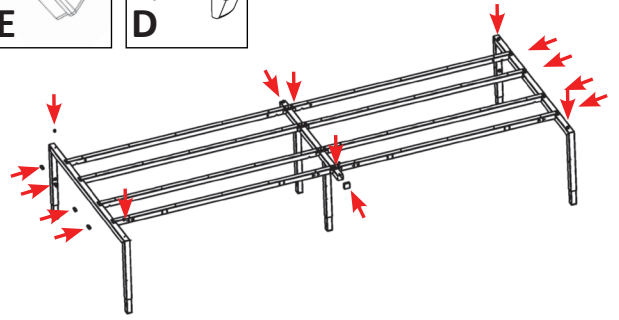
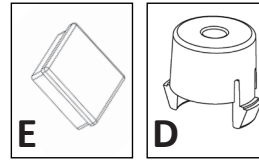
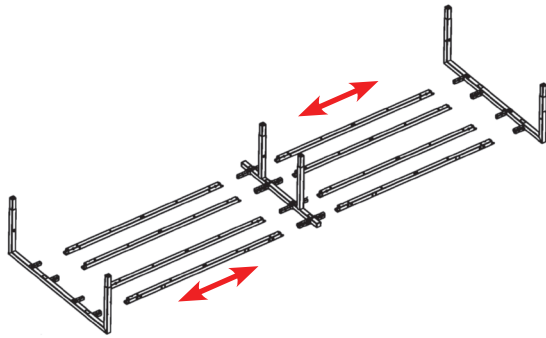
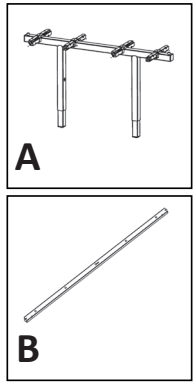


ONDERDELEN / OUTILS / TOOLS



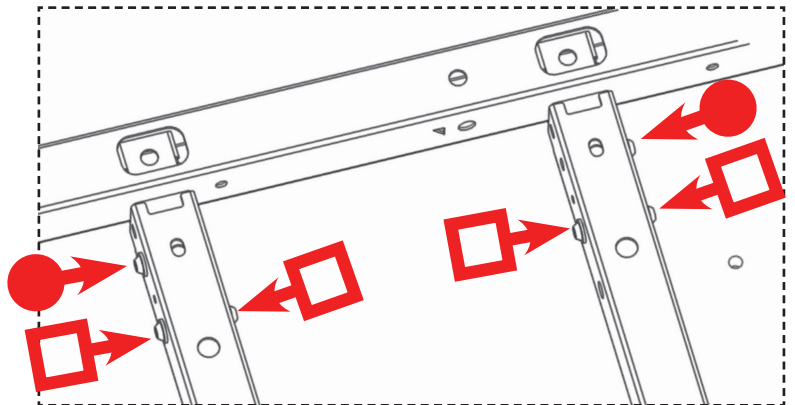
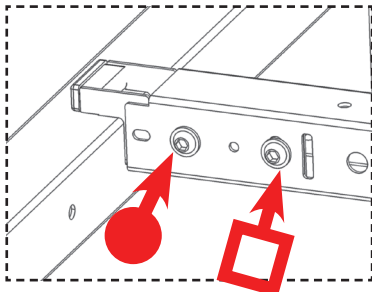
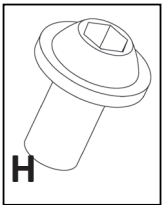
HOOFDBUREAU
BUREAU DE BASE
MAIN DESK



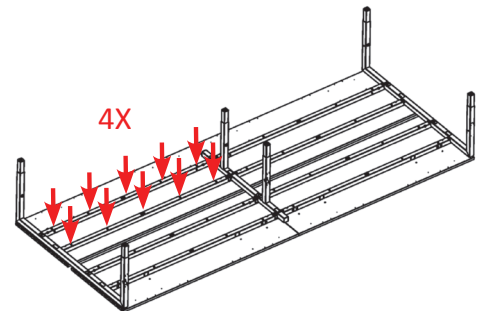
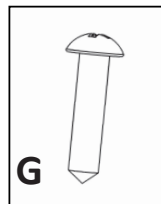
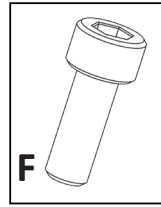
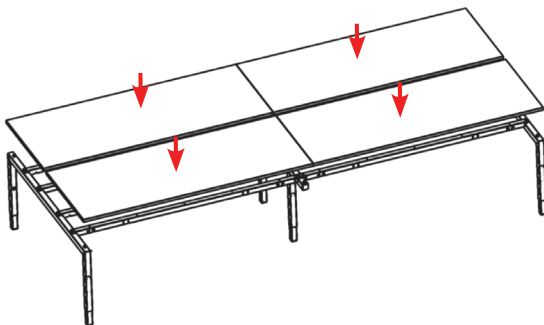
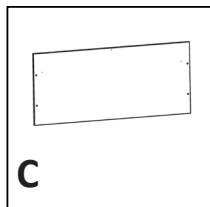


1. ----- 2.

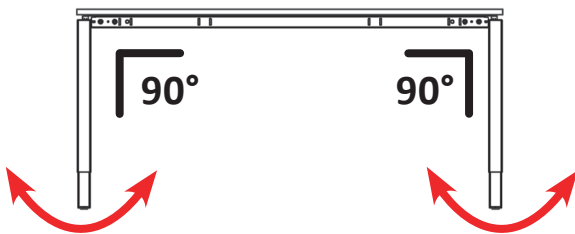
= FIX
 = FIX AFTER ADJUSTMENT



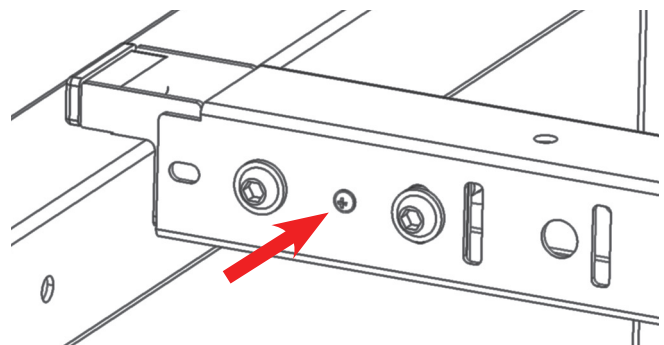
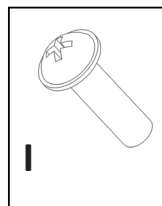
3. -----



4. -----



ADJUST



5. ----- 6. EXTRA FIX IF NECESSARY