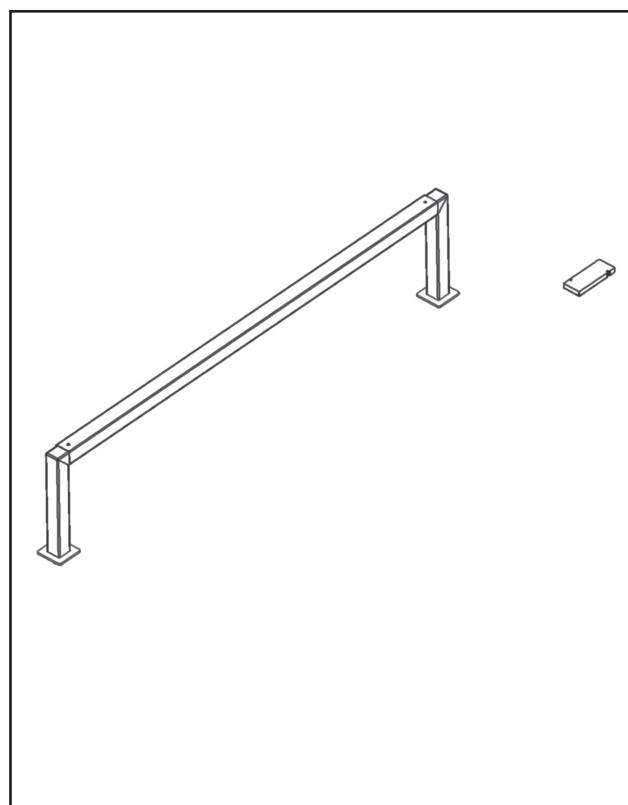


BZ000190

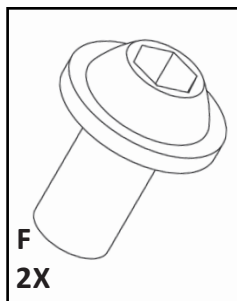
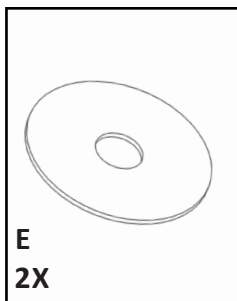
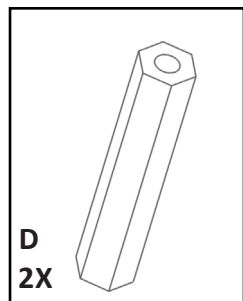
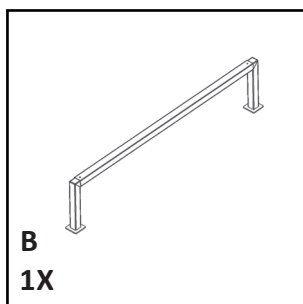
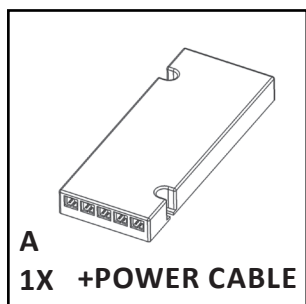
# JUNTO LEVADO

G007033

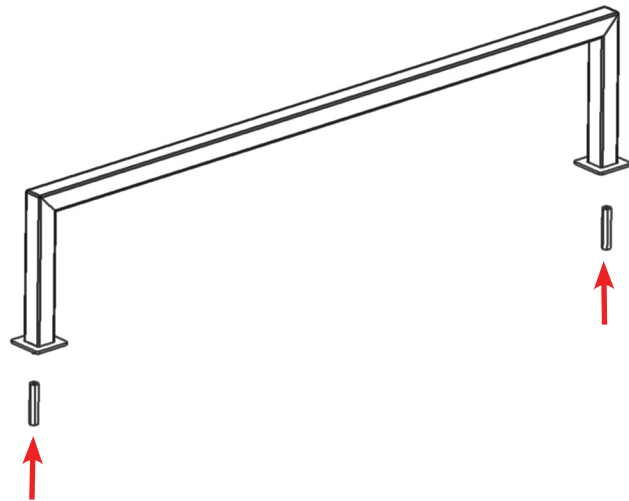
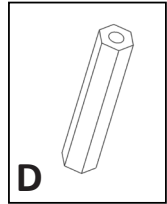
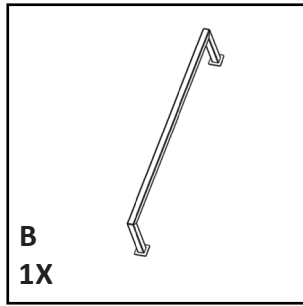
2020 / 03 / 20



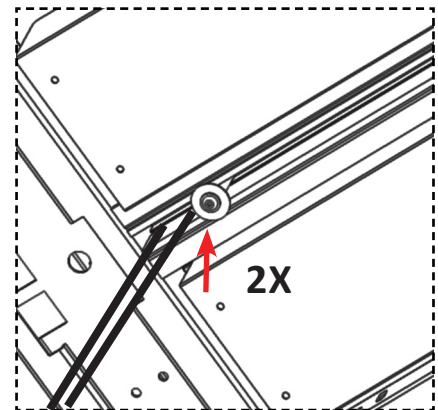
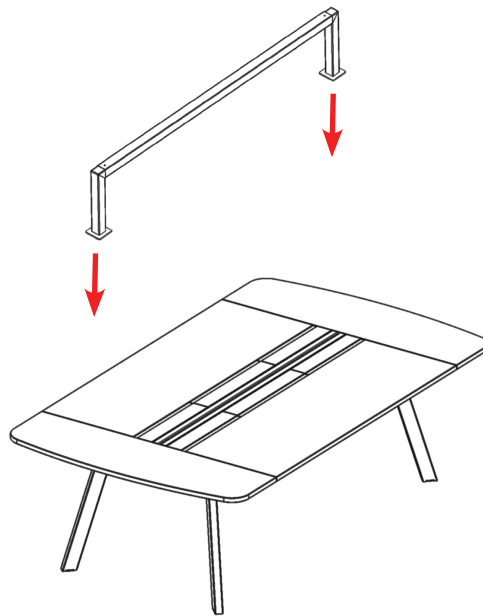
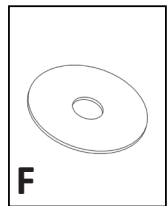
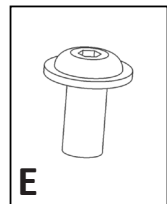
## ONDERDELEN / OUTILS / TOOLS



1.

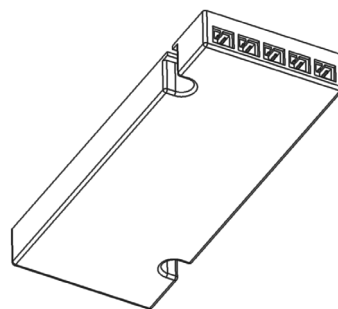
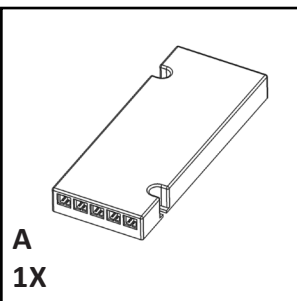


2.



PLACE THE 2 CABLES IN  
THE RAIL OPENING

3.



CONNECT:

- LED OUTPUT CABLE
- ON/OFF SWITCH CABLE
- POWER CABLE

PLACE POWER SUPPLY IN  
CABLE TRAY