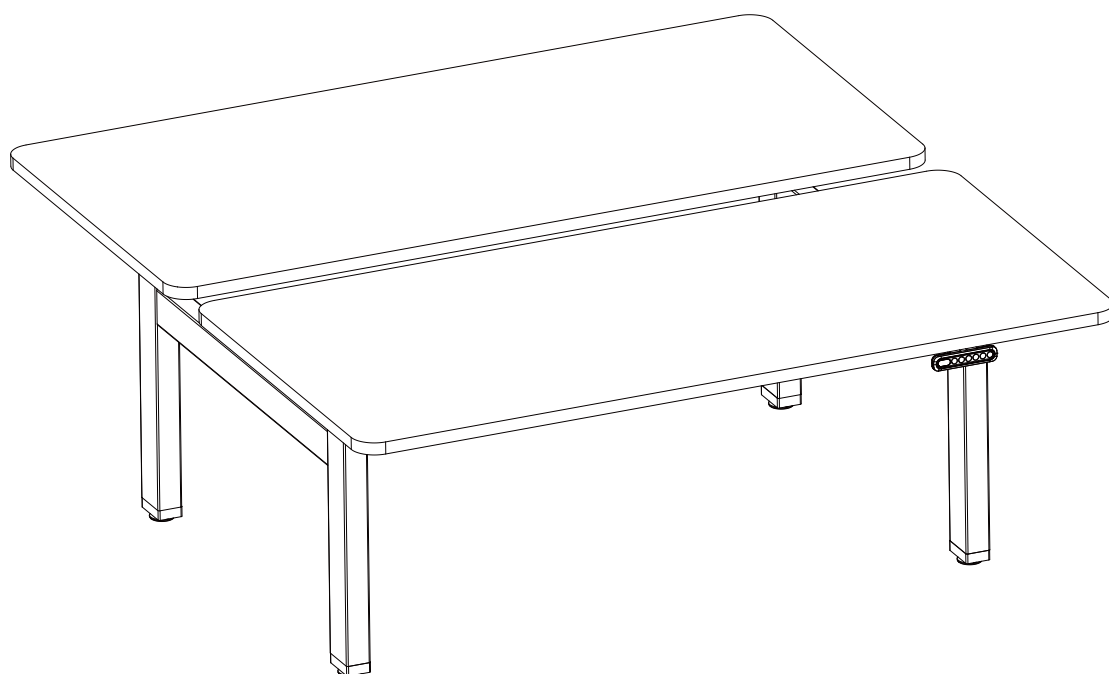


Electric Height Adjustable Desk User Manual



Warm prompt



Make sure no obstacles are in the desk's path.
Make sure the desktop is not touching any walls.
Make sure all cords are appropriate length to accommodate the change in height.



WARNING

Pinch Point
Keep hands and fingers clear.



Keep children away from electric height-adjustable desks, control units and handsets. There is a risk of injury and electric shock.



Keep all electrical components away from liquids.



Do not sit or stand on the desk frame.
Do not crawl or lie under the desk frame.



Do not place any objects taller than 20" underneath the desk.



Do not open any of the components - the Legs, Control Box, or Switch.
There is a danger of electric shock.



This product is designed with a duty cycle of 10%
(2 min. on, 18 min. off).



In the event of a power outage or if the power cord is unplugged,
a manual reset may be necessary - see USE section.



USE / LIABILITY

This height adjustable desk has electric motors and is designed for use in dry work areas only.

The desk height is adjustable so that it can be positioned at the most ergonomically suitable height.

Any other use is at user's risk.

Under no circumstances does the manufacturer accept warranty claims or liability claims for damages caused from improper use or handling of the desk frame.

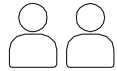
IMPORTANT:

Please read this manual carefully.
If this desk is sold, please provide this manual to the buyer.

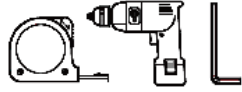
Package Contents

30 min

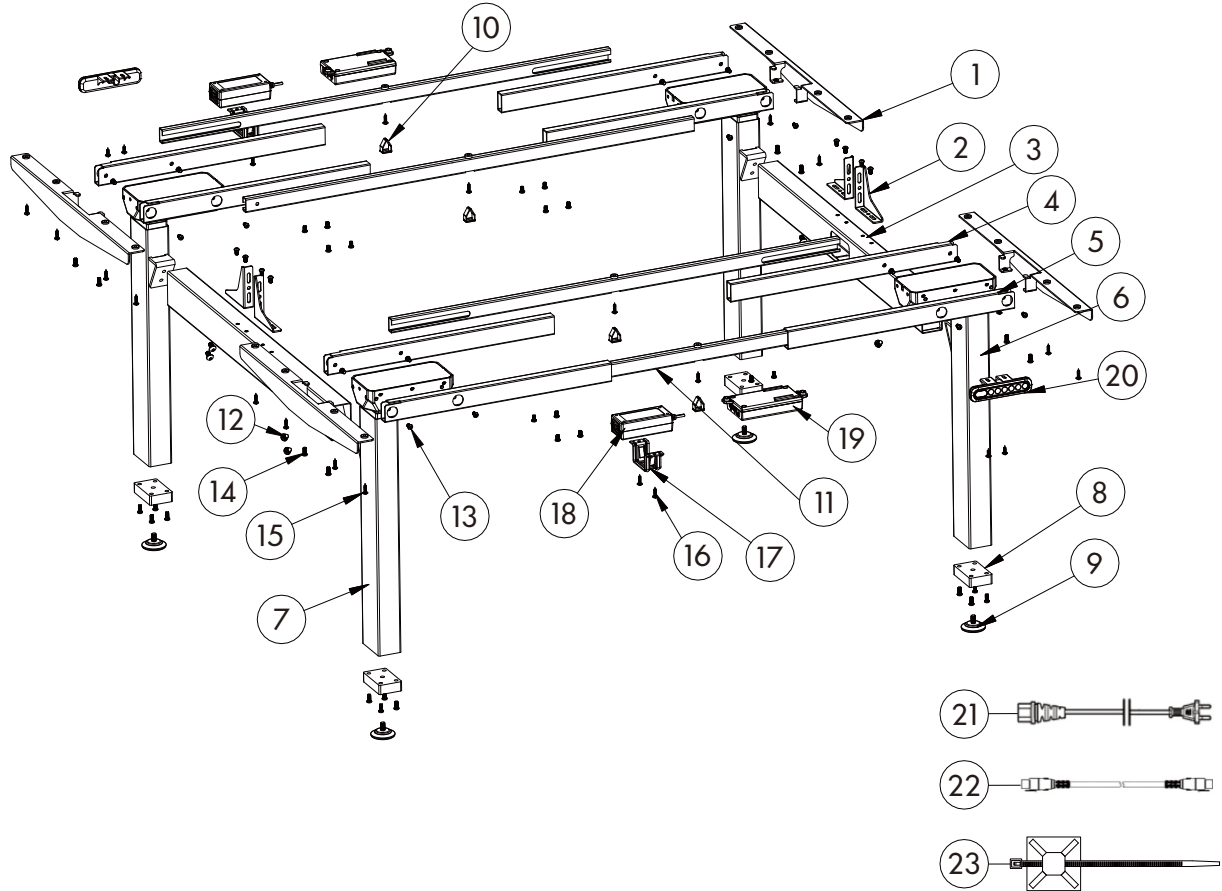
Installation time



Installation personnel

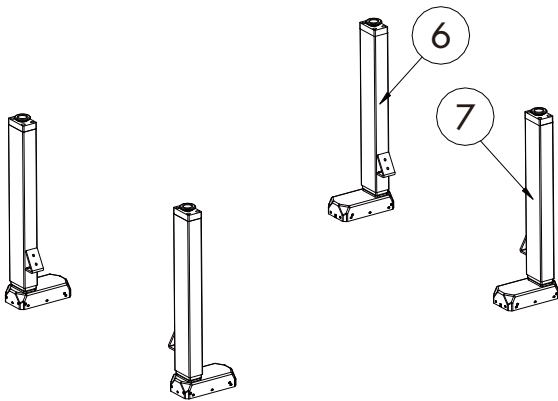


Installation tools
(self-provided)

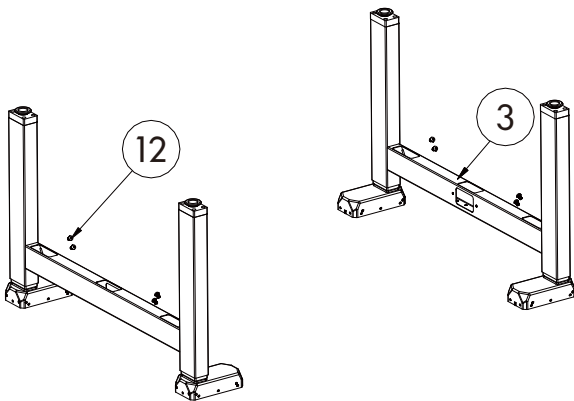


Part	Qty	Part	Qty	Part	Qty
1 Side Bracket	4	8 Foot Block	4	16 ST5*16 Wooden Screw	8
2 Screen Holder	4	9 Foot Glide	4	17 Power Adapter Fixing	2
3 Beam	2	10 Screw Card	4	18 Power Adapter	2
4 Frame Right	4	11 Center Rail	4	19 Control Box	2
5 Frame Left	4	12 M8*12 Screw	8	20 Handset	2
6 Lifting Column Right	2	13 M6*10 Screw	40	21 Power Cord	2
7 Lifting Column Left	2	14 M6*14 Screw	8	22 Connecting Cable	2
		15 ST5*20 Wooden Screw	44	23 Cable Clip	20

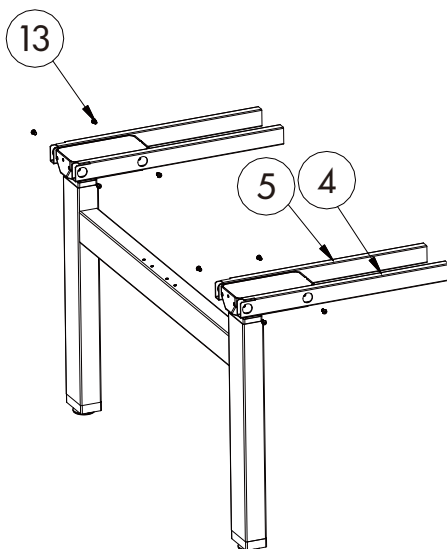
ASSEMBLY



STEP 1: Prepare the four (4) lifting columns as below picture shows.

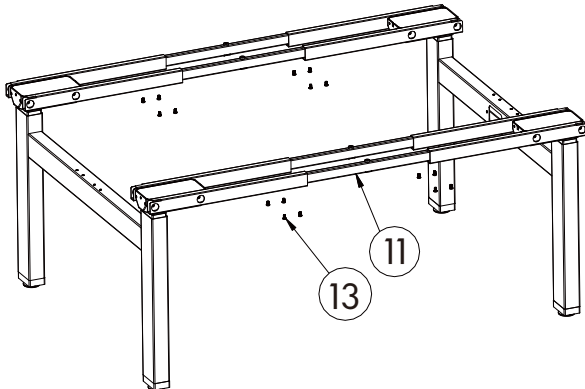


STEP 2: Using the supplied allen wrench, insert four (4) M8*12 screws (part 12) to fix the beams (part 3) and lifting columns as below picture shows. Do the same for the other beams (part 3) and lifting columns with four (4) M8*12 screws (part 12).



STEP 3: Using two (2) M6*10 screws (part 13) to fix frame left (part 5) and two (2) M6*10 screws (part 13) to fix frame right (part 4).

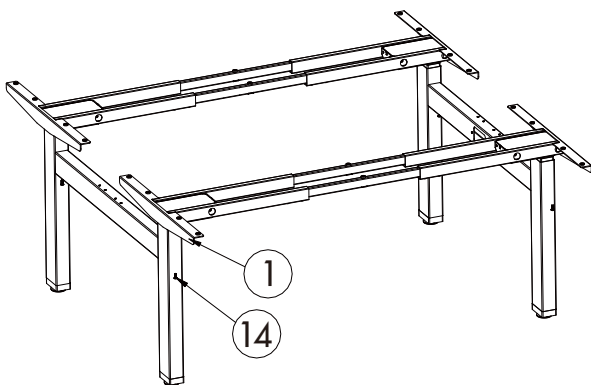
ASSEMBLY



STEP 4: Slide the center rail (part 11) into the two (2) frame ends with eight (8) M6*10 screws (part 13) ensuring:

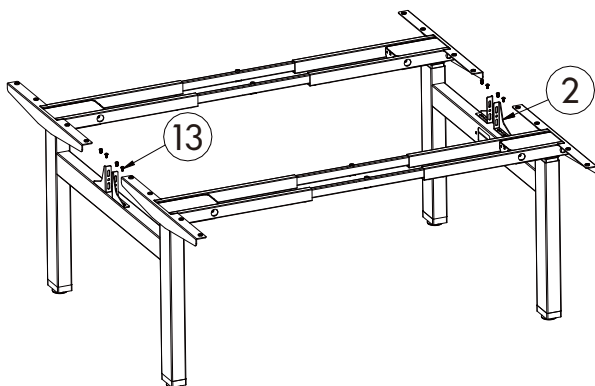
- a) the slots in the center rail (part 11) face inward
- b) the slots in the center rail (part 11) are closer to the top edge when the assembly is upside down.

Do the same for the other center rail (part 11) with eight (8) M6*10 screws (part 13).



STEP 5: Slide the side bracket (part 1) into the frame end. Insert the two (2) M6*14 screws (part 14) through the two (2) holes in the bottom of the frame end going into the inserted side bracket (part 1). Using the allen wrench rotate each screw just a few turns. After both M6*14 screws (part 14) inserted, tighten both screws.

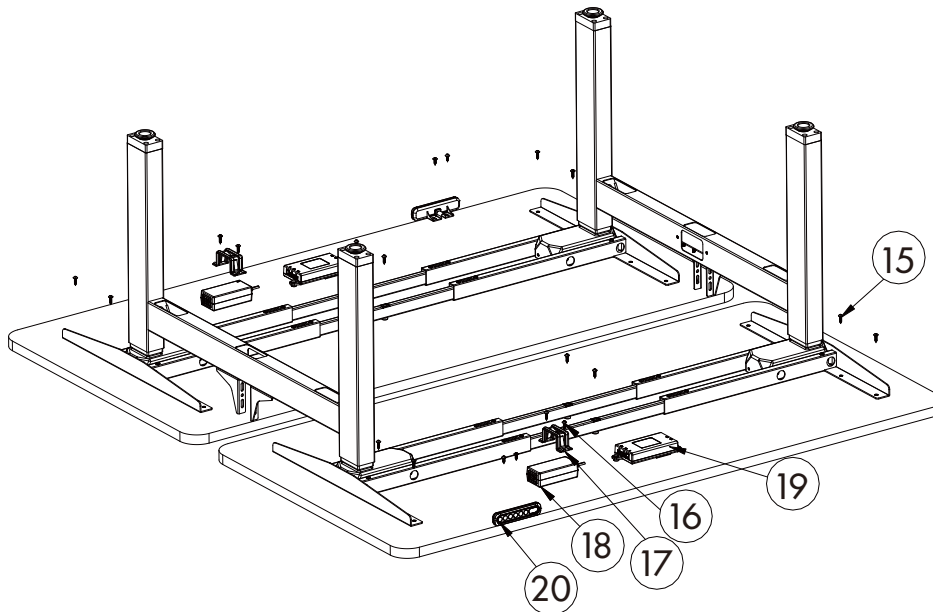
Do the same for the other three side brackets (part 1) with six (6) M6*14 screws (part 14).



STEP 6: Using four (4) M6*10 screws (part 13) to fix screen holder (part 2) with frames .

Do the same for the other screen holder (part 2) with four (4) M6*10 screws (part 13).

ASSEMBLY

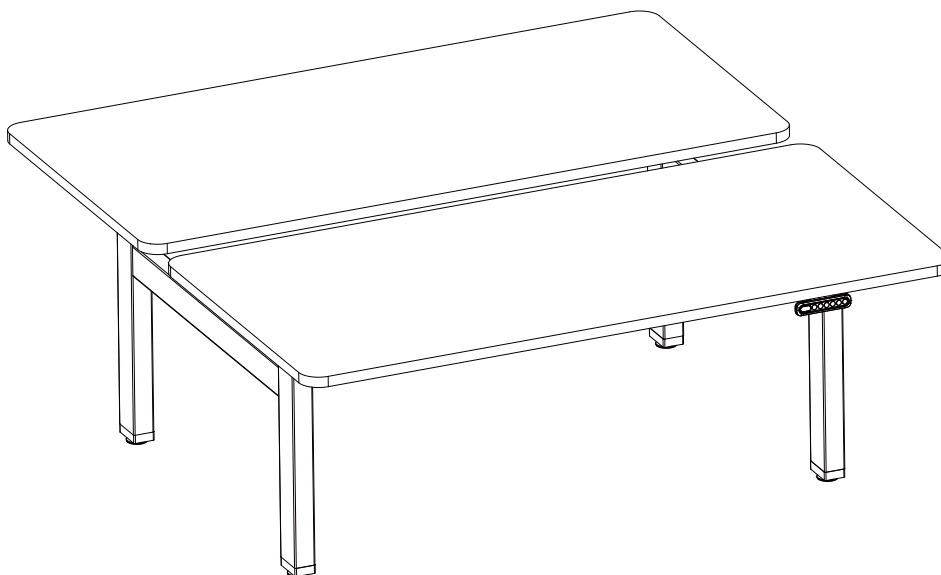


STEP 7: Attach the desk base to the underside of the desktop with ten (10) ST5*20 wooden screws (part 15).

Install the control box (part 19) underside of the desktop with two (2) ST5*20 wooden screws (part 15).

Install the power adapter fixing (part 17) with two (2) ST5*16 wooden screws (part 16).

Install the handset (part 20) with two ST5*16 wooden screws (part 16). Attach the handset (part 20) so the front of the handset is flush with the front desktop edge (or recessed up to 1/8"). The handset may be placed anywhere along the front edge of the desktop but we recommend placing it toward an end so it does not interfere with your chair when seated.



STEP 8: Turn the assembled desk right-side up. With at least two people, grab the desk base (not the desktop) and turn the desk right-side up. Plug the power cord (part 21) into a 230v outlet.

USE

⚠ Make sure no obstacles are in the desk's path. **⚠**
Make sure the desktop is not touching any walls.
Make sure all cords are appropriate length to accommodate the change in height.

IMPORTANT: You must RESET the desk prior to use.

RESET PROCEDURE: Press and hold the DOWN button on the Handset (part20) until the desk reaches its lowest height. Release the DOWN button. Press and hold the DOWN button again until the LED display reads "RST". Release the DOWN button. Press and hold the DOWN button again until the desk lowers a little bit more, slightly rises and stops. Release the DOWN button. Your desk is now ready to use.

The desk base can be adjusted by pressing and holding either the UP or DOWN button until the desired height is reached.

To program up to four presets: Use the up/down buttons to find a desired height, then press "M" followed by a number 1 - 4.

CAUTION: Once a preset button is pushed, the desk will move to the programmed height (see caution box above).

TROUBLE SHOOTING

If your desk is not functioning properly it may need to be reset. Follow the RESET procedure outlined in the USE section.

If your desk has a handset with an LED readout and it displays "RST" (reset), perform the reset procedure outlined in the USE section.

If the LED readout displays an error message ("Er1" - "Er1 3") confirm that all wired connections are secure (legs to cables, cables to control box). Then perform the reset procedure outlined in the USE section.

If the error message persists after the reset procedure, contact your seller.

If the height between the legs exceeds 1.5 inches, stop the reset procedure & contact your seller.

If the handset displays "HOT", let the base cool down for 20 minutes.

SPECIFICATIONS

Height Range	625-1275mm (without desktop)
Base Width	1080mm min.- 1800mm max.
Speed	32mm/s
Load Capacity	1000N
Duty Cycle	10% Max. 2 mins on, 18 mins off

PROGRAMMING (some models)

Press the DOWN button on the Handset (part20) until the base reaches its lowest position. Press and hold the DOWN button again until the LED display reads "RST".

Press and hold the 1 button (about 5 seconds) while the LED flashes "RST" and then switches to either:



10.1 = One-Touch


10.2 = Constant-Touch

Release the 1 button. Press the 1 button again until the desired setting is reached. Once the chosen setting is displayed, release the button and wait about 5 seconds for the display to return to "RST".

Finish the reset process by pressing and holding the DOWN button until the desk lowers a little bit more, slightly rises and stops. Release the button. The new program setting is saved and your desk is now ready to use.

SETTING THE LED RETRACTED HEIGHT (some models)

Press the DOWN button on the Handset (part20) until the base reaches its lowest position. Measure the distance from floor to the top surface of the desktop. If the number on the LED display does NOT match your measurement, follow these steps:

Press and hold the DOWN button until the LED display reads "RST".  Press and hold the "M" button (about 5 seconds) until the LED displays the flashing height. (If the display returns to "RST" before the next step is taken, repeat this step.) Use the UP/DOWN buttons to change the value of the starting height so that it matches your measurement. Wait about 5 seconds and the display will return to "RST."

Finish the reset process by pressing and holding the DOWN button again until the desk lowers a little bit more, slightly rises and stops. Release the button. The new starting height value is saved and your desk is now ready to use.

Note: the LED display has a ± 0.1 tolerance.

SETTING THE UPPER & LOWER LIMITS (some models)

This base is designed to go to its minimum and maximum heights, allowing for the widest possible range. If you prefer to change the settings to a more narrow range, follow these steps:

Make sure the power is ON and a number reads in the LED display (if no number appears, please follow the Reset procedure described in the USE section).

To Set the Upper-Limit Position:

Use the UP/DOWN buttons to move the base to the desired maximum-height position. Press the "M" button and release. Press the UP button and release. The LED display will flash "S -". Press and hold the "M" button (about 2 seconds) until the LED display changes to "999". The display will automatically return to the selected height. The new upper limit is now set.

To Set the Lower-Limit Position:

Use the UP/DOWN buttons to move the base to the desired minimum-height position. Press the "M" button and release. Press the DOWN button and release. The LED display will flash "S -". Press and hold the "M" button (about 2 seconds) until the LED display changes to "000". The display will automatically return to the selected height. The new lower limit is now set.

To Remove the Upper/Lower Limit Positions:

Press and hold the "M" button until the LED display flashes "S -" and then release it. Within 5 seconds, press the "M" button again and hold for 2 seconds. The LED display will change to "555" and then automatically return to the height display. The upper and lower limits are now removed.



A RESET procedure requires the desk base to full retract (beyond any lower limit set).

Please ensure that you have the proper clearance below the desk base.



After the upper and lower limits are set, the previous memory positions (1, 2, 3, 4) may be outside the new range of movement. If so, simply reset the memory positions.

If you attempt to revise a previously set upper or lower limit and it is outside of the existing range, you will need to remove the previously set upper/lower limits first.

HANDSET LOCK (some models)


To lock the handset:

Press and hold the "M" button (about 8 seconds) until the LED display switches to "S-" and then to "LOC." Release the button.

To unlock the handset:

Press and hold the "M" button (about 8 seconds) until the LED switches from "LOC" to the height display. Release the button.

CHANGING INCHES TO CENTIMETERS (some models)

Press the DOWN button on the Handset (part20) until the base reaches its lowest position. Press and hold the DOWN button again until the LED display reads "RST". 

Press and hold the 2 button (about 5 seconds) while the LED flashes "RST" and then switches to either:


10.3 = cm

10.4 = inches

Release the 2 button. Press and hold the 2 button again until the desired setting is reached. Once the chosen setting is displayed, release the button and wait about 5 seconds for the display to return to "RST".

Finish the reset process by pressing and holding the DOWN button until the desk lowers a little bit more, slightly rises and stops. Release the button. The new measurement setting is saved and your desk is now ready to use.

CHANGING ANTI-COLLISION SENSITIVITY (some models)

Press the DOWN button on the Handset (part20) until the base reaches its lowest position. Press and hold the DOWN button again until the LED display reads "RST". 

Press and hold the UP button (about 5 seconds) while the LED flashes "RST" and then switches to either:

10.5 = 10 kg.pressure (most sensitive)

10.6 = 15 kg pressure (middle setting)

10.7 = 20 kg pressure (least sensitive)

Release the UP button. Press and hold the UP button again until the desired setting is reached. Once the chosen setting is displayed, release the button and wait about 5 seconds for the display to return to "RST".

Finish the reset process by pressing and holding the DOWN button until the desk lowers a little bit more, slightly rises and stops. Release the button. The new anti-collision sensitivity setting is saved and your desk is now ready to use.